

Technical characteristics

- Flow rates:
 - 5 l/h at 8 bar
 - 3 l/h at 10 bar
- Power supply:
 - 100÷240 Vac 50/60 Hz
 - 240 Vac 50/60 Hz
 - 24 Vac/dc
- Stroke rate: 160 strokes/minute
- Pump head:
 - PVC
- Diaphragm: PTFE
- External Enclosure: PP protection degree IP65
- Installation kit: Included

Seko Kompact Series is a simple solenoid dosing pump, operating with a micro-processor to manage the dosing.

Its external enclosure has an IP55, which guarantees a protection versus splashing water and aggressive environments.

Kompact pump has a LED, which shows the state of the operation, according the dosing regulation, constant **C** or proportional **P**:

Constant

- Steady green LED switches off with every stroke (pump running)
- Flashing green LED when the potentiometer is to 0
- Steady red LED switches on with the low level alarm

Proportional

- Steady orange LED switches off with every stroke (pump running)
- Flashing orange LED when the potentiometer is to 0

The pump head has a manual priming valve, the flow rate is manually adjustable from 0 (pump stop) to 100% of the max flow rate moreover it is equipped with the low level alarm and includes the installation kit as well.

. Kompact pump can be fixed on wall by fixing brackets .

Models

AMS Constant flow rate manually adjustable by control dial on the front panel

AML Constant flow rate manually adjustable by control dial on the front panel, two flow rate ranges:

- **C** position 0-20% of max flow rate
- **P** position 0-100% of max flow rate

AMM Constant flow rate manually adjustable and proportional according to a signal 4-20 mA

AMC Constant flow rate manually adjustable and proportional according to a digital signal (Division mode 4:1)

DOSING PUMP

Kompact SERIES- Solenoid dosing pump

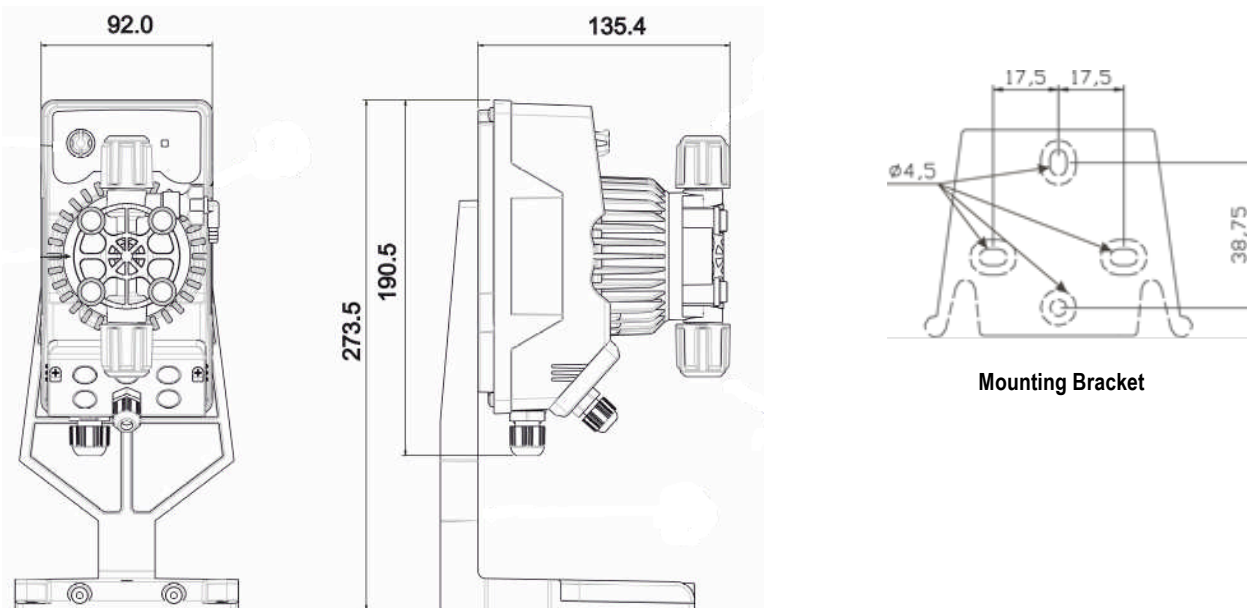
PUMP KEY CODE

| | | | | | | | | |
|-----|---|-----------------|-----------|------------|---|---------|---|---|
| 1° | Model | | | | | | | |
| AMS | Analog dosing pump with constant flow rate, manually adjustable | | | | | | | |
| AML | Analog dosing pump with constant flow rate, manually adjustable, two frequency range 0÷20% (P position), 0÷100% (C position) of max flow rate, level control input | | | | | | | |
| AMM | Analog dosing pump with two frequency ranges: constant flow rate (manually adjustable) and proportional flow rate according to an external analog (4-20 mA) signal, level control input | | | | | | | |
| AMC | Analogic dosing pump with two frequency ranges: constant flow rate (manually adjustable) and proportional flow rate according to an external digital (water meter) signal, Division mode 4:1, level control input | | | | | | | |
| 2° | Hydraulic | | | | | | | |
| 200 | Pressure [bar] | Flow rate [l/l] | cc/stroke | Stroke/min | | | | |
| | 8 | 5 | 0,52 | 160 | | | | |
| | 10 | 3 | 0,31 | | | | | |
| 3° | Power supply | | | | | | | |
| A | 240 Vac 50 Hz (AMS) | | | | | | | |
| N | 100÷240 Vac 50/60 Hz | | | | | | | |
| O | 24 Vac/Vdc | | | | | | | |
| 4° | Pump head | | | | | | | |
| P | Body pump | Ball | Diaphragm | | | | | |
| | PVC | Ceramic | PTFE | | | | | |
| 5° | Installation kit enclosed | | | | | | | |
| E | Foot filter / Injection valve | | | | | Ball | | |
| | PP | | | | | Ceramic | | |
| 6° | Seat valve | | | | | | | |
| 0 | FPM | | | | | | | |
| 1 | EPDM | | | | | | | |
| 7° | Market | | | | | | | |
| 0 | ALL | | | | | | | |
| U | USA | | | | | | | |
| 8 | CHINA | | | | | | | |
| 8° | Optional | | | | | | | |
| 0 | Standard | | | | | | | |
| 9° | Optional | | | | | | | |
| 0 | Standard | | | | | | | |
| AML | 200 | N | P | E | 0 | 0 | 0 | 0 |

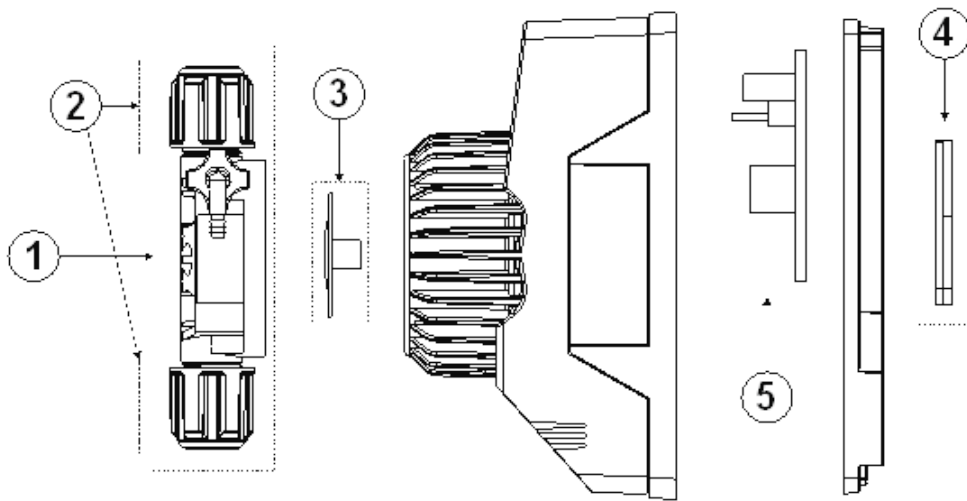
HYDRAULIC CHARACTERISTICS

| Pump Model | Stroke/ min | Flow rate | | Power supply |
|-------------|----------------|------------|-------------|--------------|
| | | l/h | l/h | |
| A M S 2 0 0 | 160 | 5 at 8 bar | 3 at 10 bar | 240 Vac |
| A M S 2 0 0 | 160 | 8 at 2 bar | 6 at 5 bar | 24 Vac |
| A M S 2 0 0 | 160 | 7 at 2 bar | | 24 Vdc |
| A M L 2 0 0 | 160 | 5 at 8 bar | 3 at 10 bar | 100÷240 Vac |
| A M M 2 0 0 | 160 | | | |
| A M C 2 0 0 | 160 | | | |

DIMENSIONS*



*The dimension are the same for all models



| Ref. | Description | Model |
|------|--|----------------|
| 1 | Complete Pump Head (PVC, Ceramic balls) Seals and Valves made in: | FPM |
| | | EPDM |
| 2 | Valve assembly Suction + Discharge (PVC / Ceramic) Seals made in: | FPM |
| | | EPDM |
| 3 | Diaphragm | PTFE |
| 4 | Mounting bracket | all the models |
| 5 | Electronic control boards | all the models |

INSTALLATION KIT

| | |
|---|----------------|
| WTD Installation Kit- PP Foot filter, Screws, fixing bracket, Injection valve, 2m PE tube (delivery), 4 mt PVC tube (suction), Seal in FPM and EPDM | all the models |
|---|----------------|



Fixing bracket



Injection valve



Suction tube



Delivery tube



Foot filter